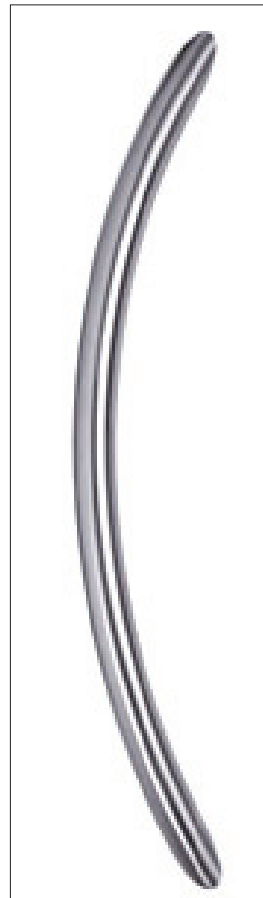


# Designer

Lever | Pull | Accessory

stainless steel



Exclusively available from:

 Lloyd Worrall  
GB nationwide

 Yannedis  
London

 MB Architectural  
Belfast

# Introduction

The **Designer** stainless steel range of lever handles, pull handles and accessories is a collection of door furniture assembled to offer the user a functional, yet high performance specification.

Lever handle designs are complemented with matching pull handles, escutcheons and bathroom snib turn and indicator release sets.

Products chosen for the **Designer** range have been selected for their durability and high performance standards, assisting service providers to meet their obligations under the Equality Act 2010 and the guidance given in BS 8300 (ADM).

Macnaughton Blair Architectural Division, consisting of Lloyd Worrall, Yannedis and MB Architectural can schedule your project requirements with all items adhering to the latest British and European standards as well as meeting the requirements of building regulations and of course BS 8300.

The Architectural Division specialises in a complete solution, incorporating not just the door furniture but also the mechanical and electrical items required to ensure we meet the buildings design and security needs.

Extensive group wide stocks and our own in-house master keying facility offers the client security and gives us flexibility in meeting the most demanding delivery schedule with a comprehensive range of locking options from entry level through to very high security cylinders.

Also available group wide is the supply and installation of access control and door automation products as well as signage and wayfinding scheduling, anti-ligature hardware, mail systems and bespoke hardware products.

All items can be supplied with TOUCHCLEAN anti-bacterial coating which is the very latest in the prevention and control of infection. Ideal for use in hospitals, schools and food preparation areas.



Our **Designer** range of door furniture is only one aspect of our offer and we would encourage you to contact us or visit our website for further information regarding other ranges and finishes.

# Furnish it stainless steel grade 316



ID001



ID002

A range of solid and tubular stainless steel lever handles on concealed fixing rose.

Supplied grade 316 satin stainless steel.

Some designs are available in polished stainless steel - please contact us for details.

52mm dia rose.

Available on 10mm, 4mm or 2mm rose.

Tested to BS EN 1906.



ID003



ID004

ID001  
Designer lever handle on rose.

ID002  
Designer lever handle on rose.



ID005



ID006

ID003  
Designer lever handle on rose.

ID004  
Designer lever handle on rose.

ID005  
Designer lever handle on rose.



ID007



ID008

ID006  
Designer lever handle on rose.

ID007  
Designer lever handle on rose.

ID008  
Designer lever handle on rose.

# Furnish it stainless steel grade 316



A range of solid and tubular stainless steel lever handles on concealed fixing rose.

Supplied grade 316 satin stainless steel.

Some designs are available in polished stainless steel - please contact us for details.

52mm dia rose.

Available on 10mm, 4mm or 2mm rose.

Tested to BS EN 1906.



ID009  
Designer lever handle on rose.

ID010  
Designer lever handle on rose.



ID011  
Designer lever handle on rose.

ID012  
Designer lever handle on rose.

ID013  
Designer lever handle on rose.



ID014  
Designer lever handle on rose.

ID015  
Designer lever handle on rose.

ID016  
Designer lever handle on rose.

# Furnish it stainless steel grade 316



ID017



ID018

A range of solid and tubular stainless steel lever handles on concealed fixing rose.

Supplied grade 316 satin stainless steel.

Some designs are available in polished stainless steel - please contact us for details.

52mm dia rose.

Available on 10mm, 4mm or 2mm rose.

Tested to BS EN 1906.



ID019



ID020

ID017  
Designer lever handle on rose.

ID018  
Designer lever handle on rose.



ID021



ID022

ID019  
Designer lever handle on rose.

ID020  
Designer lever handle on rose.

ID021  
Designer lever handle on rose.



ID023



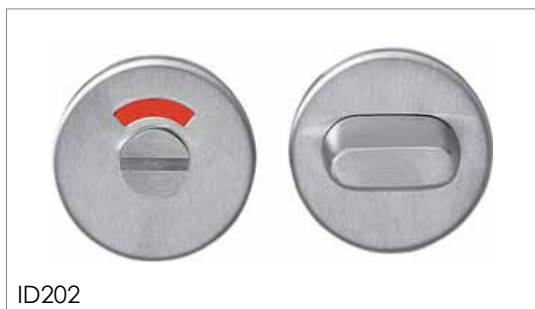
ID024

ID022  
Designer lever handle on rose.

ID023  
Designer lever handle on rose.

ID024  
Designer lever handle on rose.

# Furnish it stainless steel grade 316



A range of solid and tubular stainless steel lever handles on concealed fixing rose and matching accessories.

Supplied grade 316 satin stainless steel.

Some designs are available in polished stainless steel - please contact us for details.

52mm dia rose.

Available on 10mm, 4mm or 2mm rose.

Tested to BS EN 1906.

ID025

Designer lever handle on rose.

ID026

Designer lever handle on rose.

ID027

Designer lever handle on rose.

ID201

52mm dia concealed fixing euro escutcheon.

ID202

52mm dia concealed fixing standard thumbturn and indicator with emergency release set.

ID203

50mm dia euro escutcheon.

ID204

52mm dia concealed fixing standard thumbturn and indicator with emergency release set.

ID205

42mm euro escutcheon.

ID206

42mm standard thumbturn and emergency release set.

# Furnish it stainless steel grade 304



A range of solid and tubular stainless steel lever handles on concealed fixing rose.

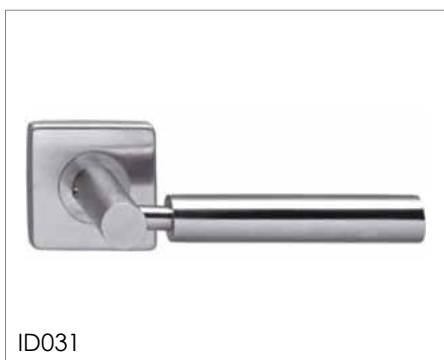
Supplied grade 304 satin stainless steel.

Some designs are available in polished stainless steel - please contact us for details.

55mm dia round rose or 53mm square rose.

Available on 8mm or 4mm round rose or 8mm square rose.

Tested to BS EN 1906.



ID028  
Designer lever handle on rose.

ID029  
Designer lever handle on rose.



ID030  
Designer lever handle on rose.

ID031  
Designer lever handle on rose.

ID032  
Designer lever handle on rose.



ID033  
Designer lever handle on rose.

ID034  
Designer lever handle on rose.

ID035  
Designer lever handle on rose.

# Furnish it stainless steel grade 304



A range of solid and tubular stainless steel lever handles on concealed fixing rose.

Supplied grade 304 satin stainless steel.

Some designs are available in polished stainless steel - please contact us for details.

55mm dia round rose or 53mm square rose.

Available on 8mm or 4mm round rose or 8mm square rose.

Tested to BS EN 1906.

ID036  
Designer lever handle on rose.

ID037  
Designer lever handle on rose.

ID038  
Designer lever handle on rose.

ID039  
Designer lever handle on rose.

ID040  
Designer lever handle on rose.

ID207  
55mm dia concealed fixing euro escutcheon.

ID208  
55mm dia concealed fixing standard thumbturn and indicator with emergency release set.

ID209  
53mm euro escutcheon.

ID210  
53mm standard thumbturn and emergency release set.

# Furnish it stainless steel grade 316



ID101

ID102

ID103

ID104

Pull handle range to compliment lever furniture.

Supplied grade 316 satin stainless steel.

Some designs are available in polished stainless steel - please contact us for details.

Bolt through fixing - BT  
Face fixed on rose - BF  
Back to back fixing - BB

## ID101

Curved round bar pull handle.  
30mm dia x 605mm, 500mm c/c.  
30mm dia x 850mm, 700mm c/c.

## ID102

Curved round bar pull handle.  
30mm dia x 330mm, 300mm c/c.  
35mm dia x 735mm, 700mm c/c.

## ID103

Curved flat bar pull handle.  
500mm and 700mm.

## ID104

Designer round bar pull handle.  
25mm dia x 975mm, 950mm c/c.  
Handed.

## ID105

T-type round bar pull handle.  
25mm dia x 500mm, 350mm c/c.  
30mm dia x 450mm, 300mm c/c.  
30mm dia x 500mm, 350mm c/c.  
35mm dia x 52mm, 350mm c/c.  
35mm dia x 650mm, 500mm c/c.

## ID106

T-type flat bar pull handle.  
500mm x 350mm c/c.  
700mm x 550mm c/c.

## ID107

T-type round bar pull handle.  
30mm dia x 450mm, 300mm c/c.

## ID108

Flat bar pull handle.  
395mm x 350mm c/c.  
595mm x 550mm c/c.

## ID109

Flat bar pull handle.  
410mm x 350mm c/c.  
610mm x 550mm c/c.



ID105

ID106

ID107

ID108

ID109

# Furnish it stainless steel grade 316



Pull handle range to compliment lever furniture.

Supplied grade 316 satin stainless steel.

Some designs are available in polished stainless steel - please contact us for details.

Bolt through fixing - BT  
Face fixed on rose - BF  
Back to back fixing - BB

**ID110**  
Cranked-type pull handle.  
25mm dia x 195mm, 10mm c/c.



**ID111**  
V-type pull handle.  
30mm dia x 350mm c/c.

**ID112**  
Semi-circular pull handle.  
25mm dia x 300mm c/c.

**ID113**  
Designer round bar pull handle.  
25mm dia x 975mm, 950mm c/c.  
Handed.



**ID114**  
Square-type pull handle.  
25mm dia x 195mm, 100mm c/c.

**ID115**  
Circular pull handle.  
25mm dia x 195mm, 100mm c/c.

**ID116**  
Oval-type pull handle.  
25mm dia x 260mm, 100mm c/c.

Lloyd Worrall  
Unit 6, Denbigh Hall  
Bletchley  
MILTON KEYNES  
MK3 7QT  
T: 01908 643 364  
F: 01908 643 643  
E: miltonkeynes@lloydworrall.co.uk

Lloyd Worrall  
Unit 13, Chamberlayne Road  
Moreton Hall Ind. Est.  
BURY ST EDMUNDS  
IP32 7EY  
T: 01284 762 002  
F: 01284 762 003  
E: bury@lloydworrall.co.uk

Lloyd Worrall  
Units 10-11, Attercliffe Common Ind. Est.  
Fell Road  
SHEFFIELD  
S9 2AL  
T: 0114 244 3350  
F: 0114 244 4219  
E: sheffield@lloydworrall.co.uk

Lloyd Worrall  
Unit 1, Bentinck Street Ind. Est.  
off Chester Road, Hulme  
MANCHESTER  
M15 4LN  
T: 0161 833 0270  
F: 0161 832 3904  
E: manchester@lloydworrall.co.uk

Lloyd Worrall  
Units 13-16, Noble Street Ind. Est.  
off Scotswood Road  
NEWCASTLE UPON TYNE  
NE4 7PD  
T: 0191 226 0888  
F: 0191 226 0803  
E: newcastle@lloydworrall.co.uk

[www.lloydworrall.co.uk](http://www.lloydworrall.co.uk)

Yannedis  
Unit 3, Woodford Trading Estate  
Southend Road  
Woodford Green  
LONDON  
IG8 8HF  
T: 020 8550 8833  
F: 020 8551 0026  
E: ask@yannedis.com

[www.yannedis.com](http://www.yannedis.com)

MB Architectural  
14a Falcon Road  
BELFAST  
BT12 6RD  
T: 028 9038 0200  
F: 028 9038 0201  
E: ask@mbarchitectural.com

[www.mbarchitectural.com](http://www.mbarchitectural.com)